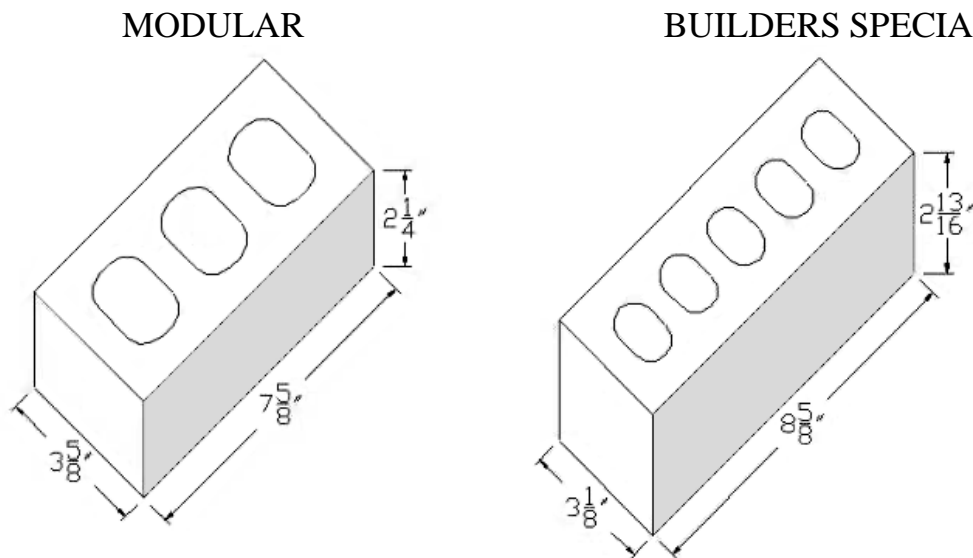


Sioux City Brick presents the...

Builders Special Size

Our Adel Manufacturing Plant produces a new size of Brick – The "Builders Special". It's designed for speed and economy of construction for residential, apartment and commercial use. We present the following advantages of this exciting new Brick vs. Modular.



Top Ten Reasons To Use The Builders Special Size

$3\frac{1}{8}$ " (Bed Depth) x $2\frac{13}{16}$ " (Face Ht.) x $8\frac{5}{8}$ " (Length)

1. The New & Improved Williamsburg Texture provides that Premium Look which Builders & Owners Both Prefer.
2. Builders Special is produced in a Great Variety of Colors including the popular Aztec and Sand-Struck and Monticello Series. Don't forget that many Commercial Colors are also Available.
3. Takes 27% fewer Brick than Modular and has 25% lower in-the-wall cost than Modular.
4. Weight is 4.3 - 4.4 lbs. - only 9% over Modular and comparable to Kingsize.
5. Only 4% less wall coverage than $2\frac{5}{8}$ " Kingsize, but the $3\frac{1}{8}$ " Bed means there is less tippage than Kingsize when laying. This results in better laying yields.
6. The appearance in the wall is better than Kingsize (better scale and no staggered bond look).
7. Bonding is as easy as Kingsize, plus it courses out with Block every 16".
8. At 5 brick per sq. ft., it has 12.5% more wall coverage than Queensize or Engineer size. It costs 13% less than Engineers on our list – so that's a 25% overall material savings over Engineers – pretty compelling!
9. Fits nicely in place of Canadian CSR Units.
10. Builders Special Soldier Courses work better than Kingsize, Queensize or Engineer size – with no saw cuts.